

# Self-Checkout

## Apex XpressCheck™ Patron Self-Service System RFID-Based Self-Checkout

Apex XpressCheck combines speed, usability, and confidentiality to enhance the library patron experience as never before. Patrons find that they have heightened privacy, independence and control even as their waiting time decreases.

- ✓ Available in (streamlined?) modern (pictured) or traditional wooden cabinetry, free-standing or countertop
- ✓ Allows patrons to check out a stack of items at at one time using a simple intuitive user-friendly screen flow.
- ✓ Screen messages, graphics, animations, screen colors and backgrounds, audio and receipt messages can all be customized by the library.
- ✓ Libraries can include graphics and seasonal messages to patrons on receipts. Patrons select whether they want to print a paper receipt, receive an email receipt, or skip the receipt.
- ✓ Libraries can customize and update multiple Apex XpressCheck systems quickly and simply. Configuration settings, image files, sound files, and updates can all be distributed from one networked PC.
- ✓ Apex XpressCheck provides an option to allow patrons to pay fines and charges at the self-service station. This includes the ability to pay by credit card, debit card and/or cash.
- ✓ Remote messaging allows staff members to receive messages when patrons encounter checkout issues such as blocks. Apex XpressCheck Store and Forward provides the ability to continue self-checkout transactions during times when the Library's SIP server is offline or unavailable.
- ✓ Apex XpressCheck add-ons allow patrons to self-checkout audio-visual items without compromising security. AV Xpress provides the ability to unlock multiple brands of locking security cases without staff assistance. DiscXpress II is a jukebox storage system for DVDs and CDs which distributes disks to patrons as they are checked out.

### Why ITG?

- ✓ Has implemented solutions in many libraries and library systems, large and small, across North America.
- ✓ Dozens of testimonials from satisfied librarians and library administrations.
- ✓ Years of technology experience in RFID, bar coding, security, and self-checkout.
- ✓ The resources and expertise that will enable your library's investment to come together as a state-of-the-art solution.



See overleaf for specifications

“When we opened our brand new building, we knew we’d be hit with skyrocketing circulation and we promised the town we wouldn’t increase the size of our staff. The only solution was technology. ITG has been our partner in this venture and the Apex RFID XpressCheck Station has more than taken up the slack. Our patrons have easily adapted to it and love to check out their own materials.”

Robin A. Glasser, Director of  
Libraries, Norfolk Public Library,  
Norfolk, MA

“We’re on our third generation of self-checkout machines from ITG. Patrons love the convenience and our staff loves the time they save behind the circulation desk.”

Scott Reinhart, Assistant Director,  
Carroll County Public Library,  
Westminster, MD

### Benefits


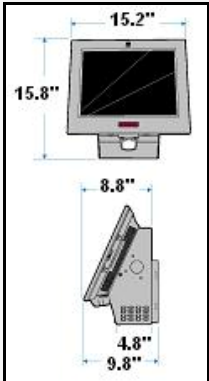
Optimizes checkout flows and helps the library cope with fluctuating patron numbers.

- ✓ Allows the circulation desk to expand its role within libraries.
- ✓ Frees library employees to assist visitors with more personalized customer service.
- ✓ Reduces the risk to staff of repetitive strain injuries.
- ✓ Enables staff to service patrons without having to leave the circulation desk.
- ✓ Integrates seamlessly with the library's ILS to ensure that items are checked out validly and properly.
- ✓ Eliminates false alarms at security gates.
- ✓ Suits all styles of library décor.
- ✓ Does not require a separate server.



# Specifications

## Physical Specifications

Free-Standing Kiosk	Monitor/Computer	Printer
<p><b>Height:</b> incl. monitor 55 in. Pedestal (below): 33 in.</p> <p><b>Width:</b> 36 in., 18 x 18 in. footprint</p> <p><b>Depth:</b> 22 in.</p> <p><b>Weight:</b> incl. monitor 103.5 lbs. Pedestal: 88.5 lbs.</p>	<p><b>Height:</b> 15.8 in.,</p> <p><b>Width:</b> 15.2 in.</p> <p><b>Depth:</b> 9.8 in.</p> <p><b>Weight:</b> 14.9 lbs</p>	<p><b>Medallion Kiosk:</b> <b>Built into Pedestal</b></p> <p><b>Classic Kiosk/ All Countertops:</b> <b>Single Sided:</b> <b>Type:</b> Thermal line printer <b>Weight:</b> Approx. 3.96 lbs <b>Overall dimensions</b> 5 7/8 x 8 x 5 1/4 inches (W x D x H) <b>Paper dimensions:</b> Roll paper: 79.5 ± 0.5 (W) x diameter 83.0mm {3.13 ± 0.02 x diameter 3.27 inches }</p> <p><b>Double Sided:</b> <b>Type:</b> Thermal line printer <b>Weight:</b> 4.9 lbs <b>Overall dimensions</b> 5.7 x 8.7 x 5.5 inches (W x D x H)</p>
		

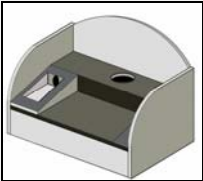
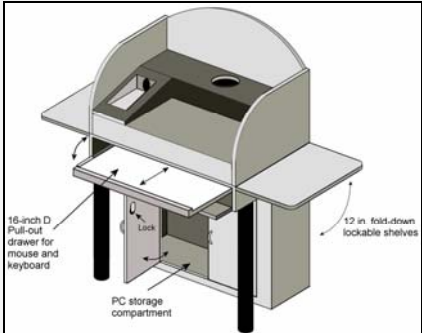


Apex XpressCheck Medallion Free-Standing Kiosk



Apex XpressCheck Classic Free-Standing Kiosk

## Physical Specifications: Classic Edition

Countertop Kiosk	Free-Standing Kiosk
<p><b>Height:</b> 17 3/4 in.</p> <p><b>Width:</b> 31 1/2 in.</p> <p><b>Depth:</b> 24 1/4 in.</p>	<p><b>Height:</b> Overall: 48 in., Floor-to-counter: 30 in.</p> <p><b>Width:</b> 31 1/2 in. footprint, 35 in. folded, 56 1/2 in. extended</p> <p><b>Depth:</b> 24 1/4 in.</p>
	



Apex XpressCheck Classic Countertop Kiosk

## Build-In Components

### Hands-free stand for bar code scanner:

**Weight:** 5 lbs.  
**Dimensions:** 6 inches x 4 inches

### RFID Antenna:

**Dimensions (with Cover):** 337 x 237 x 8.3 mm (W x H x D)  
**Weight:** 530 grams

### RFID Coupler:

**Size (W x L x H):** 85 x 145 x 31 mm  
**Weight:** 200 grams

**Note:** Library must supply space under the counter for standard-sized mini-tower computer, access to power, and network connectivity as listed above.



Standard Finishes