

# Self-Checkout

## Apex XpressCheck™ Patron Self-Service System

### Bar Code-Based Self-Checkout (for use with RF security or for libraries without security systems)

Apex XpressCheck combines speed, usability, and confidentiality to enhance the library patron experience as never before. Enabling patrons to check out without assistance or supervision frees librarians to focus on those services that they are uniquely equipped to provide. And our years of technology experience in bar coding, security, and self-checkout ensure that your library's investment comes together as a state-of-the-art solution.

#### All Models:

- ✓ Include self-checkout software and all hardware components, including PC workstation with keyboard and mouse, touch screen monitor, thermal receipt printer, and bar code scanner. Also available are: optional card-readers such as mag-stripe, smart-card, and others.
- ✓ Require access to the library's network (10/100/1000 Base-T Ethernet network or wireless connection to that type of network) and standard 120-volt power.
- ✓ Require SIP2.0 (can be acquired from the library's ILS vendor).

#### VECO300 – Countertop Kiosk:

- ✓ Can be placed on the library's circulation desk, or other piece of furniture, supplied by the library
- ✓ Requires placement on top of a stable desk or countertop large enough to accommodate cabinet dimensions.
- ✓ Requires suitable ventilated storage space for PC workstation components (PC, keyboard, and mouse) within cable distance of setup location (preferably underneath counter and out of public view).
- ✓ Recommended that space be provided for personal items
- ✓ Can be built in one of four standard finishes (see right) or customized to match the library's décor.

#### VECO310 – Free-Standing Kiosk:

- ✓ Can be located anywhere within the library that has access to power and network connectivity as listed above.
- ✓ Includes a locking cabinet that allows the PC workstation components to be enclosed and hidden from patrons.
- ✓ Can be built in one of four standard finishes (see right) or customized to match the library's décor.
- ✓ Designed with retractable shelves for personal items.

#### VECO300D – Build-In:

- ✓ Requires countertop space large enough to accommodate the following hardware: Bar code scanner (with included stand), touch screen monitor, and graphics-capable thermal receipt printer.
- ✓ Recommended that space be provided for personal items

**Note:** ITG will provide information about the proper installation of components and review the library's design plans to assure that the components will fit and work properly. The library will perform all modifications to the counter space to accommodate the self-checkout components.

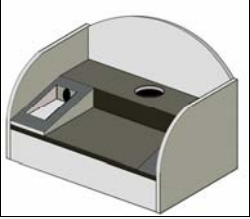
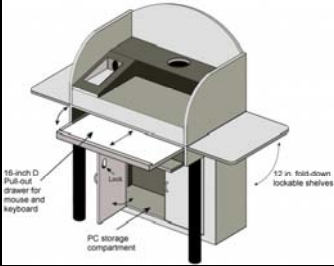


Apex XpressCheck Free-Standing Kiosk



Apex XpressCheck Countertop Kiosk

#### Physical Specifications:

Countertop Kiosk	Free-Standing Kiosk	Build-In
<p><b>Height:</b> 17 ¾ in.</p> <p><b>Width:</b> 31 ½ in.</p> <p><b>Depth:</b> 24 ¼ in.</p>  <p><b>Note:</b> Library must supply space under the counter for standard-sized mini-tower computer, access to power, and network connectivity as listed above</p>	<p><b>Height:</b> Overall: 48 in., Floor-to-counter: 30 in.</p> <p><b>Width:</b> 31 ½ in. footprint, 35 in. folded, 56 ½ in. extended</p> <p><b>Depth:</b> 24 ¼ in.</p> 	<p><b>15-Inch Monitor dimensions:</b> (max. with short stand)</p> <p><b>Width:</b> 13.99 inches (355 mm)</p> <p><b>Height:</b> 11.27 inches (286 mm)</p> <p><b>Depth:</b> 10.44 inches (265 mm) (Dimensions vary with stand position and options selected)</p> <p><b>Printer:</b></p> <p><b>Type:</b> Thermal line printer</p> <p><b>Weight:</b> Approx. 3.96 lbs</p> <p><b>Overall dimensions:</b> 5 ¾ x 8 x 5 ¼ inches (W x D x H)</p> <p><b>Paper Dimensions:</b> Roll paper: 79.5 ± 0.5 (W) x diameter 83.0mm (3.13 ± 0.02 x diameter 3.27 inches }</p> <p><b>Hands-free stand for bar code scanner:</b></p> <p><b>Weight:</b> 5 lbs.</p> <p><b>Dimensions:</b> 6 inches x 4 inches</p>



Standard Finishes

**Add-on Options:**

- Apex AV Xpress™
- Apex Fines and Fees Payment

