

Self-Checkout

Apex XpressCheck™ Patron Self-Service System Electromagnetic Security Model

Apex XpressCheck combines speed, usability, and confidentiality to enhance the library patron experience as never before. Enabling patrons to check out without assistance or supervision frees librarians to focus on those services that they are uniquely equipped to provide. And our years of technology experience in bar coding, security, and self-checkout ensure that your library's investment comes together as a state-of-the-art solution.

All Models:

- ✓ Include self-checkout software and all hardware components, including PC workstation with keyboard and mouse, touch screen monitor, graphics-capable thermal receipt printer, dual electromagnetic desensitizers, and bar code scanner. Also available are optional card-readers such as mag-stripe, smart-card, and others.
- ✓ Desensitize electromagnetic security strips (such as 3M™ Tattle-Tapes™, or Vernon Library Supplies TailTags™) as part of the checkout process.
- ✓ Use the same simple process for checkout and security strip deactivation in a single step for all types of items including magnetic media.
- ✓ Require access to the library's network (10/100/1000 Base-T Ethernet network or wireless connection to that type of network) and standard 120-volt power.
- ✓ Can be built in one of four standard finishes (see right) or customized to match the library's décor.
- ✓ Require SIP2.0 (can be acquired from the library's ILS vendor).

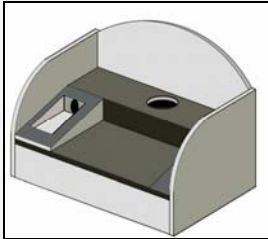
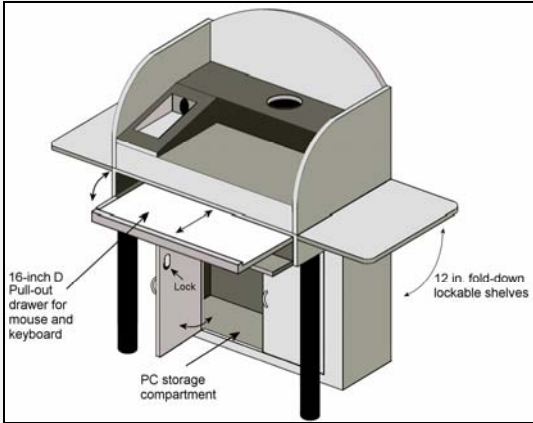
VECO820EM – Countertop Kiosk:

- ✓ Can be placed on the library's circulation desk, or other piece of furniture, supplied by the library
- ✓ Requires placement on top of a stable desk or countertop large enough to accommodate cabinet dimensions.
- ✓ Requires suitable ventilated storage space for PC workstation components (PC, keyboard, and mouse) within cable distance of setup location (preferably underneath counter and out of public view).
- ✓ Recommended that space be provided for personal items

VECO830EM – Free-Standing Kiosk:

- ✓ Includes a locked cabinet that allows the PC workstation components to be enclosed and hidden from patrons.
- ✓ Can be located anywhere there is access to the library's network and electrical power.
- ✓ Designed with retractable side shelves for patrons personal items

Physical Specifications:

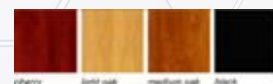
Countertop Kiosk	Free-Standing Kiosk
<p>Height: 17 ¾ in.</p> <p>Width: 31 ½ in.</p> <p>Depth: 24 ¼ in.</p> 	<p>Height: Overall: 48 in., Floor-to-counter: 30 in.</p> <p>Width: 31 ½ footprint, 35 in. folded, 56 ½ in. extended</p> <p>Depth: 24 ¼ in.</p> 



Apex XpressCheck
Free-Standing Kiosk



Apex XpressCheck
Countertop Kiosk



Standard Finishes

Add-on Options:

- Apex AV Xpress™
- Apex Fines and Fees Payment

