

Nex.Tag RFID Rectangular

The easy and secure way to convert your library materials



RFID tags are used to wirelessly identify and secure library items. They are affixed to any library book material or media collateral.

Nexbib supplies a range of RFID tags that are designed for all types of items in a library's collection. Our standard plain label tag is the most commonly used and with its 81mm x 49mm footprint it is sure to keep all of your items secure and offer the best performance.

The complete range of Nexbib RFID tags includes Square Tags, in both paper and clear, full-face DVD and CD Rom Tags, and 40mm Hub CD Tags.

You can have confidence that the Nexbib RFID tag range is all you need to secure every item in your library.

Technical Specifications

Application

Application For the application on library items, available in different size and shapes for different materials. Use in combination with a RFID system to identify and secure library items.

Programming For the use RFID tags need to be programmed with a compliant data model.

IC Specifications

IC Protocol ISO/IEC 15693, ISO 18000-3, ISO 28560

ISO Typical Frequency 13.56 MHz

Chip NXP I Code SLIX2

User Memory 2560 bits

Environmental

Operating temperature -40°C/+80°C

Storage temperature +25°C, 50% RH

Shelf life 2 years from the date of manufacture

Bending diameter (D) 50 mm, tension less than 10N

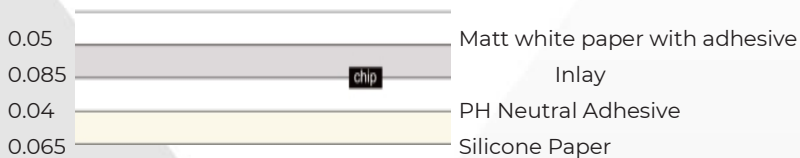
Label apply temperature 0°C / +40°C

Antenna Design

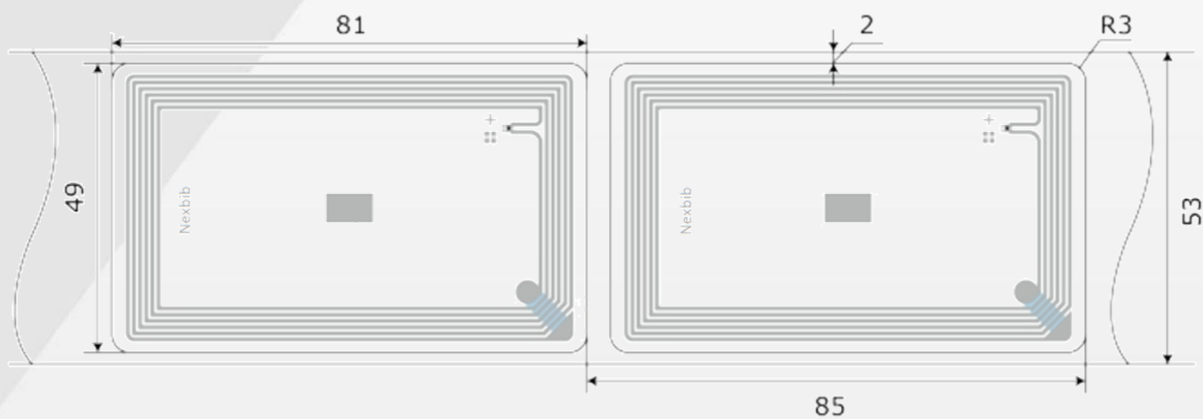
Top Aluminum/30 µm

Substrate PET/38 µm

Bottom Aluminum/10 µm

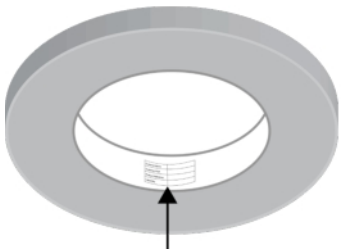
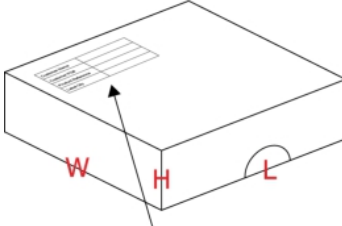
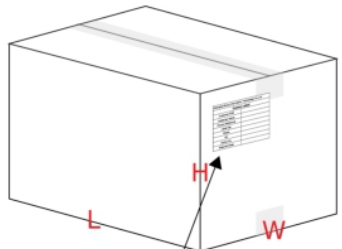


Layout and Dimensions (mm)



Technical Specifications

Packaging

<p>Core internal Diameter: 76.2 ± 1mm Core Thickness: 6 ±1mm Quantity / Roll: 1000 pcs. Roll External Diameter: ≤ 185 mm</p>  <p>Labeling</p>	<p>1 roll/inner case Length: 190 mm Width: 190 mm Height: 58 mm</p>  <p>Labeling</p>	<p>10 inner /master ctn Length: 405 mm Width: 215 mm Height: 325 mm</p>  <p>Labeling</p>
---	--	--

Nexbib tag quality and performance guaranty

Nexbib RFID label quality and performance guarantee All Nexbib RFID tag products must pass accelerated aging testing at 85°C and at 85% humidity for 15 weeks which included performance testing.

Our entire range of RFID tag™ products, when handled according to our recommended practices, are guaranteed for the lifetime of the item to which they are affixed.

Data Retention guaranteed for 50 years with a minimum of 100,000 read/ write cycles.

